

THE PROPERTY OF THIS DRAWING IS ESTABLISHED BY LAW
IT IS FORBIDDEN TO REPRODUCE IT OR SHOW IT TO THIRD PARTY
WITHOUT A WRITTEN AGREEMENT.

MODIFICATIONS:

7	10
8	11
9	12

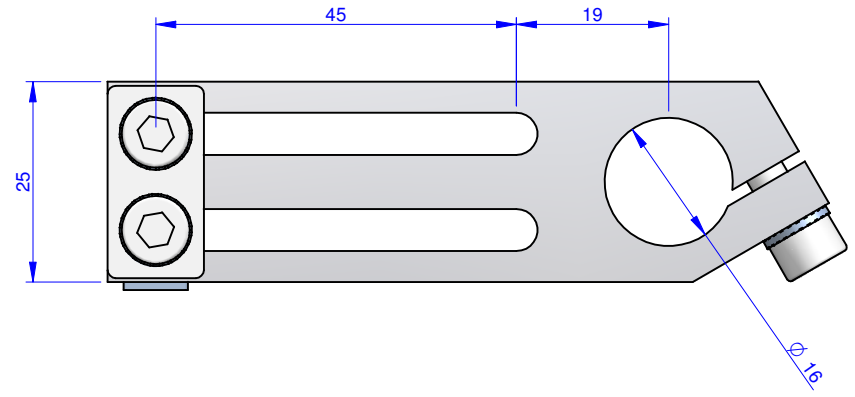
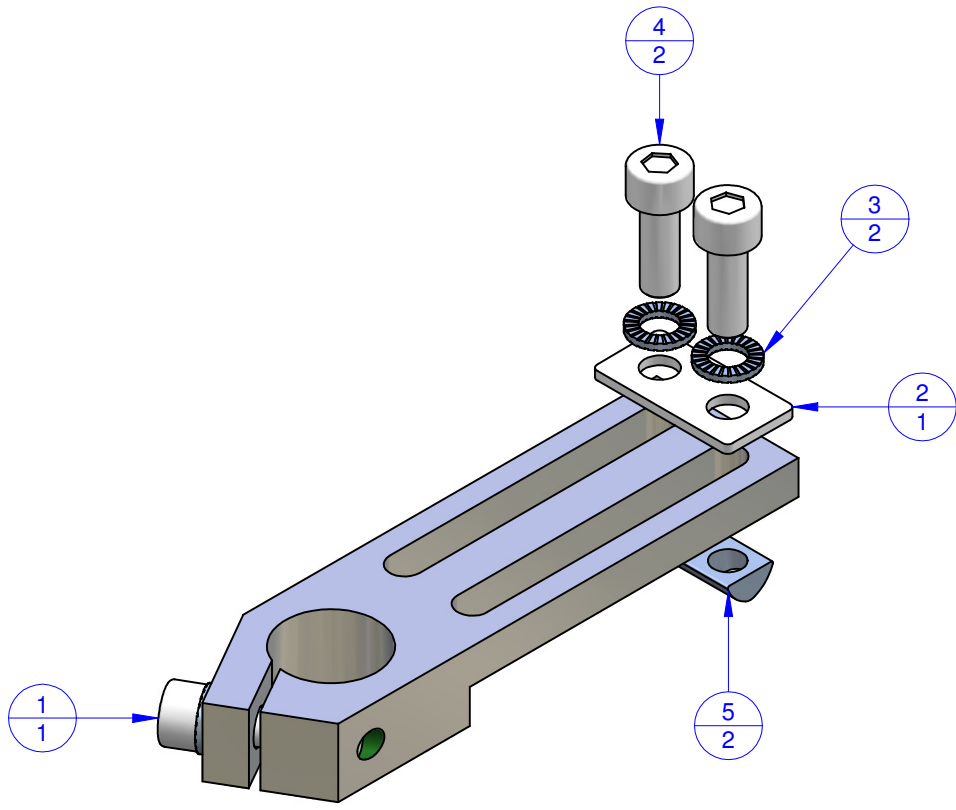
VARIED DIMENSIONS AS OF DATE:

MODIFICATIONS:

1	4
2	5
3	6

VARIED DIMENSIONS AS OF DATE:

Format **A3**
UNI 936-76



Object Number	Name	QTY
1	CA.04.02.001	1
2	R.05.12	1
3	R.5.SCH	2
4	V.TCEI M5X14	2
5	CA.02.05.003	2

FP Services <small>GENERAL TOLERANCE: UNI - ISO 2768 CLASSE f</small>	<small>DESCRIPTION</small>	<small>DESIGNED FROM</small> FPSERVICES
		<small>DATE</small> 04/2015
<small>WEIGHT</small> 0,047 kg		<small>CODE</small> CA.04.02.001.5

